

BIBLIO

Libreria componibile bifacciale composta da centine in MDF sagomato antigraffio texture e setti semicirculari in legno multistrati curvato e laccato antigraffio texture. Placchette incassate di connessione in acciaio inox satinato.

Accessori:

elementi reggilibri in poliuretano espanso.

Finiture:

rosso, nero e bianco crema

BIBLIO

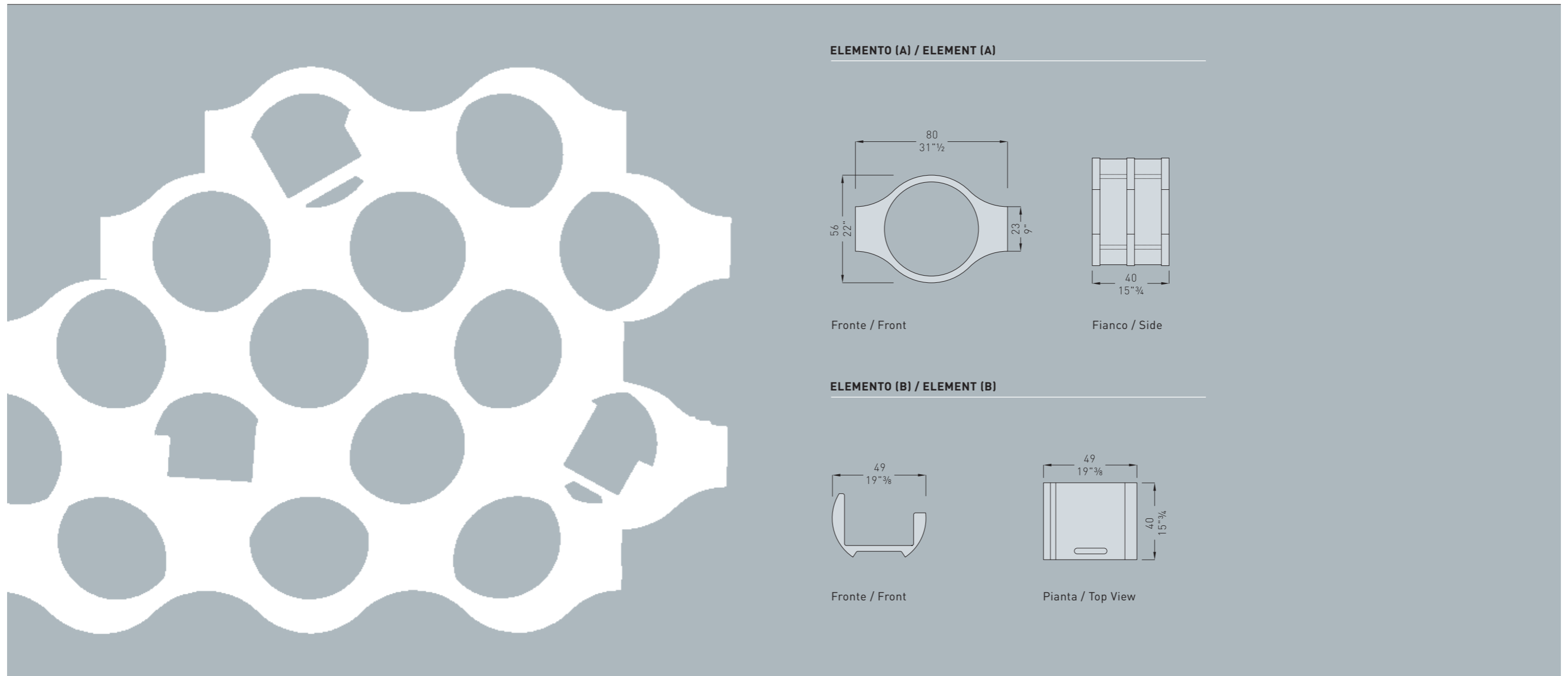
A sectional bifacial bookcase made up of a frame in shaped scratch-resistant texture MDF and semicircular partitions in curved multiply wood and varnished with a scratch-resistant texture. Fitted connection plates in satined steel.

Accessories:

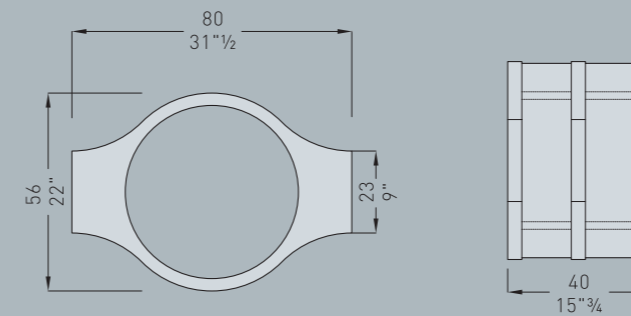
book-end components in polyurethane foam.

Finishes:

black, red and warm white.



ELEMENTO (A) / ELEMENT (A)



Fronte / Front

Fianco / Side

ELEMENTO (B) / ELEMENT (B)



Fronte / Front

Pianta / Top View

